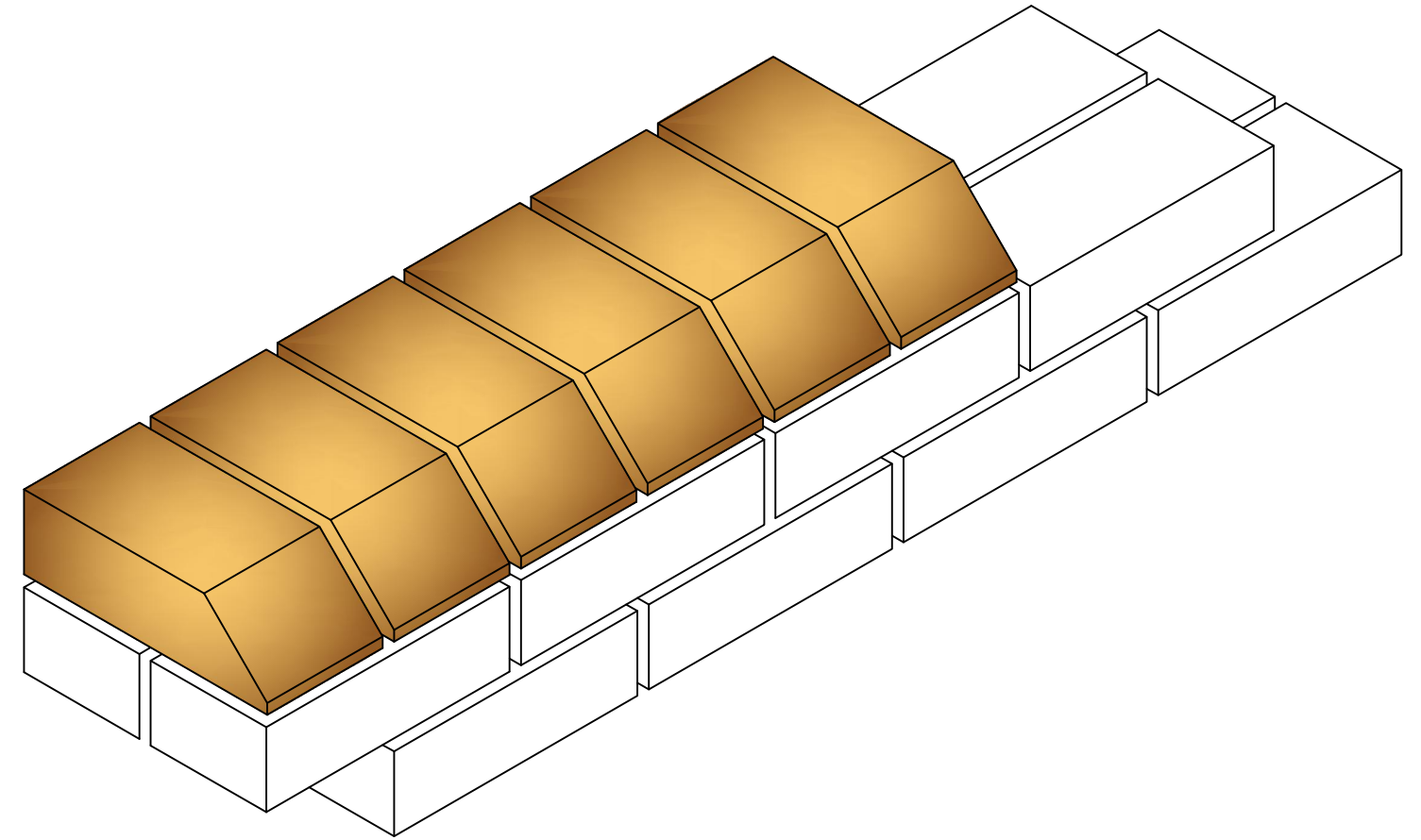
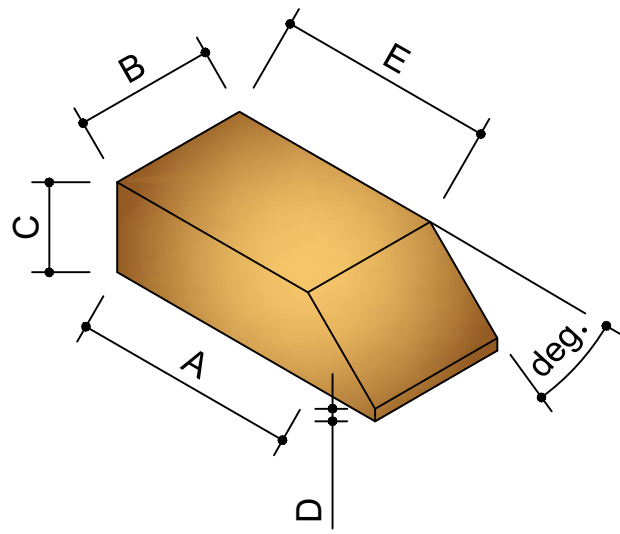


M&U PLINTH HEADERS



Type	A	B	C	D	E	deg.
1	215	102	65	9	159	45
2	215	102	65	23	173	45

Dimensions are all in millimeters

Cant Bricks are often used to create vertically chamfered edges on corners, end of walls as well chamfered horizontal edges on top walls.

If the standard Brick Special shown in the table above does not meet your requirements, please contact us quoting the nearest equivalent brick type and reference number, along with the specification and details you require.