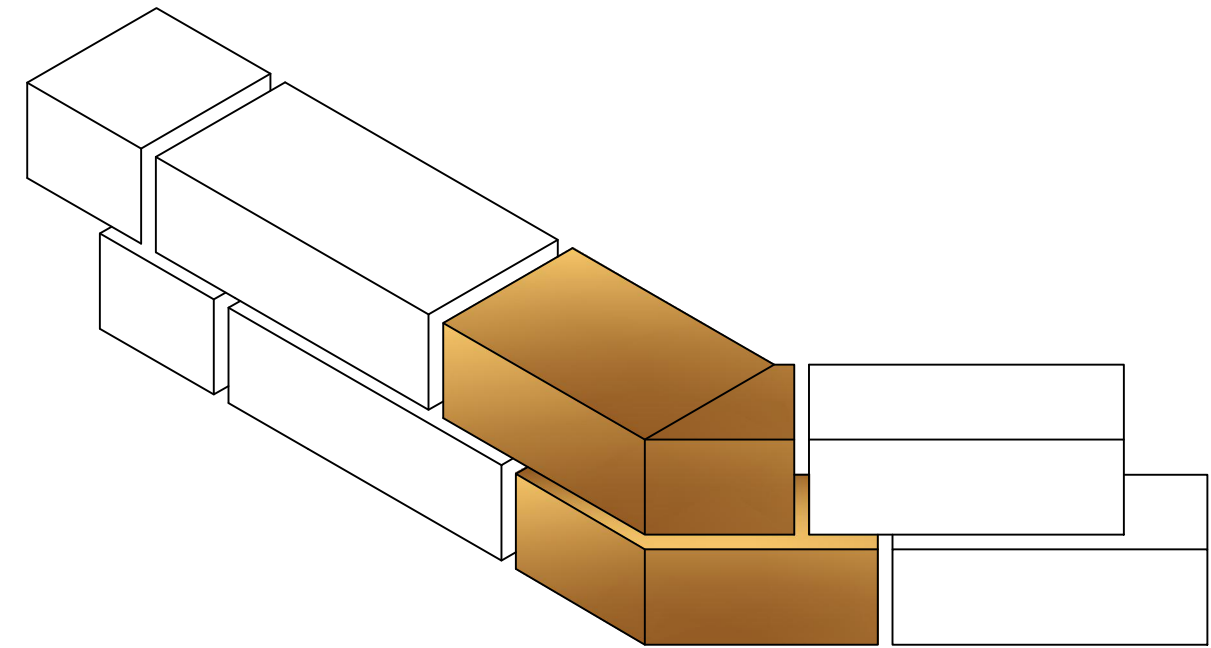
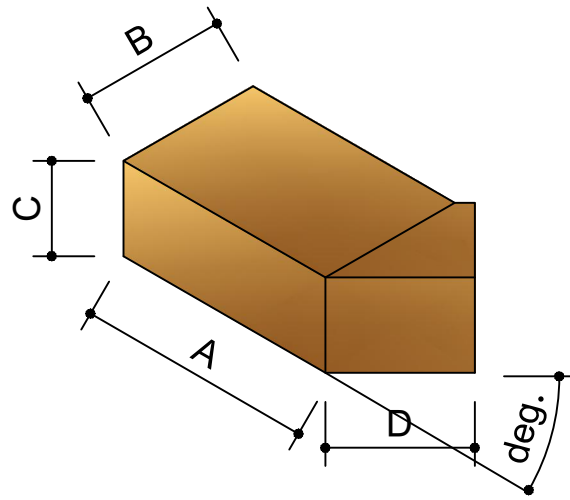


M&U EXTERNALLY ANGLED BRICKS



Type	A	B	C	D	deg.
1	159	102	65	102	30
2	159	102	65	102	45
3	159	102	65	102	60
4	215	102	65	102	30
5	215	102	65	102	45
6	215	102	65	102	60

Dimensions are all in millimeters

Externally Angled Bricks are typically used to create angled corners with standard brick lengths facing externally. Available in different angles and left or right handed if the brick has a textured surface.

If the standard Brick Special shown in the table above does not meet your requirements, please contact us quoting the nearest equivalent brick type and reference number, along with the specification and details you require.