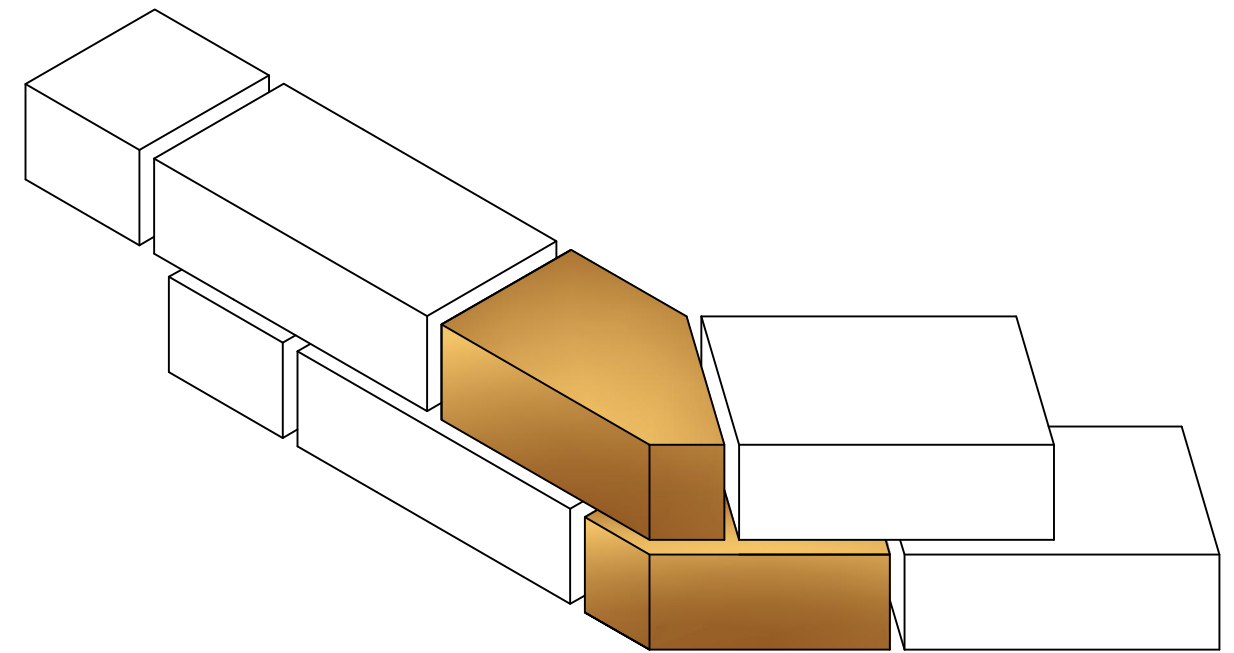
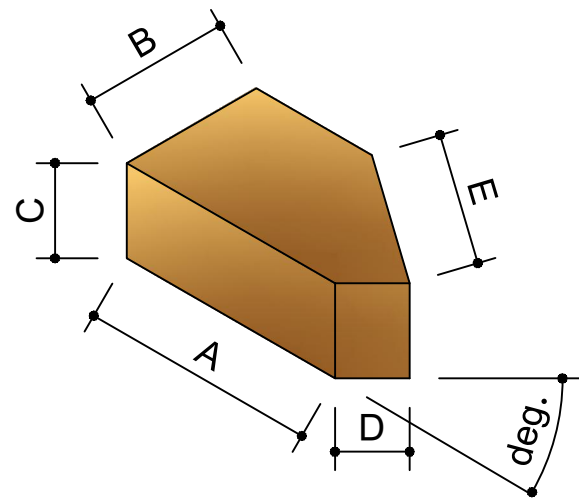


M&U SQUINT BRICKS



Type	A	B	C	D	E	deg.
1	164	102	65	51	89	30
2	164	102	65	51	94	45
3	164	102	65	51	117	60

Dimensions are all in millimeters

Squint bricks are typically used to create angled corners. Available in different angles and left or right handed if the brick has a textured surface.

If the standard Brick Special shown in the table above does not meet your requirements, please contact us quoting the nearest equivalent brick type and reference number, along with the specification and details you require.